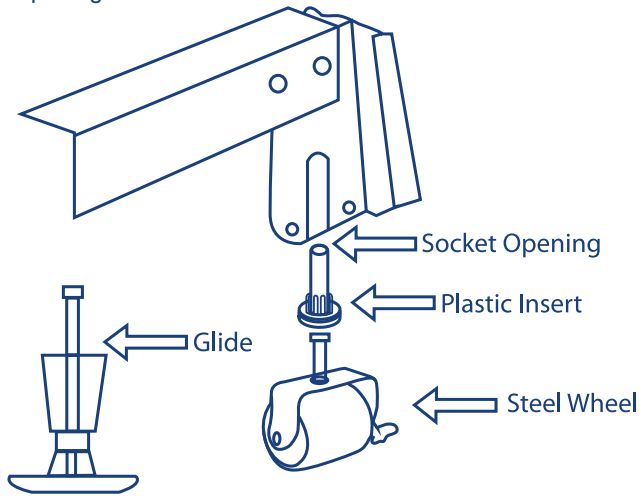
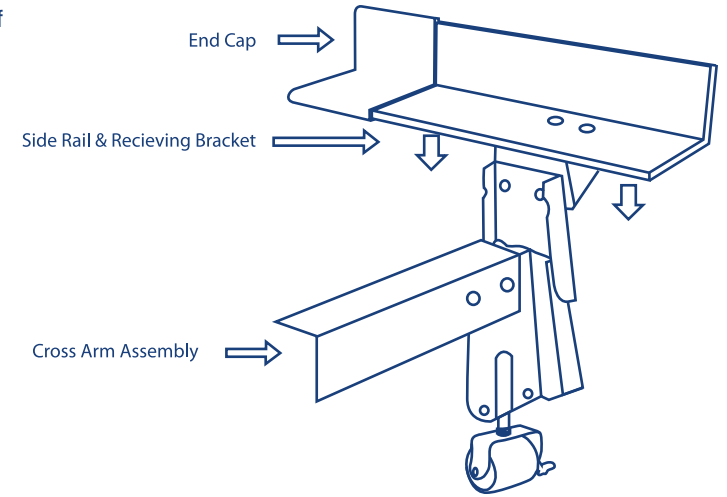


Instructions

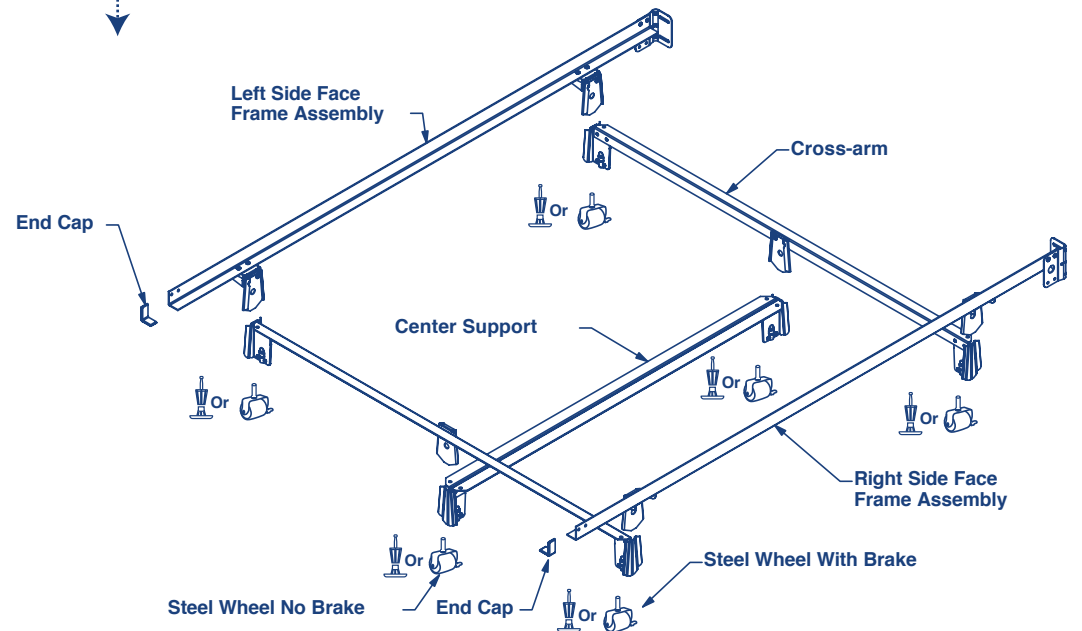
Step 1
Insert Steel Wheel or
Glide into plastic insert
socket then insert into
socket opening in metal
legs



Step 2
Assemble frame by inserting
cross arms assembly into
side rail receiving bracket &
install end caps to ends of
side rails



EXPLODED ASSEMBLY VIEW



Please cut out and save this Advisory with the instruction.

*** ADVISORY ***

- * PLEASE FOLLOW THE INSTRUCTIONS ON THIS BOX FOR THE SAFE AND PROPER SET-UP OF THIS PRODUCT.
- * SAVE THE INSTRUCTIONS FOR FUTURE REASSEMBLY OF THIS PRODUCT.
- * THIS PRODUCT MAY ONLY BE USED FOR THE BED, TYPE OF BED AND BEDDING FOR WHICH IT IS INTENDED.

7-2012