

## INSTRUCTIONS FOR ECO 35G/35R

- Step 1.  
Swing out cross arms on all corners of the bed frame.
- Step 2.  
Install rug rollers or glides to the bottom of all outside legs. (See Fig. A)
- Step 3.  
Secure plastic end cap. (See Fig. A)

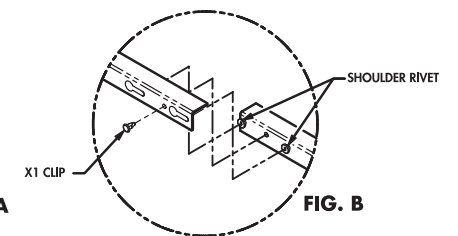
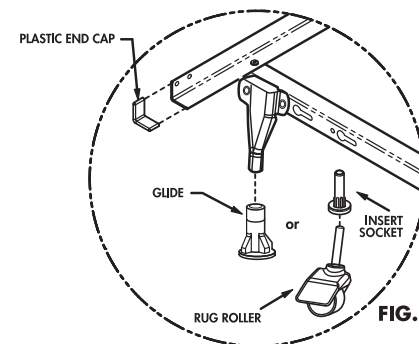
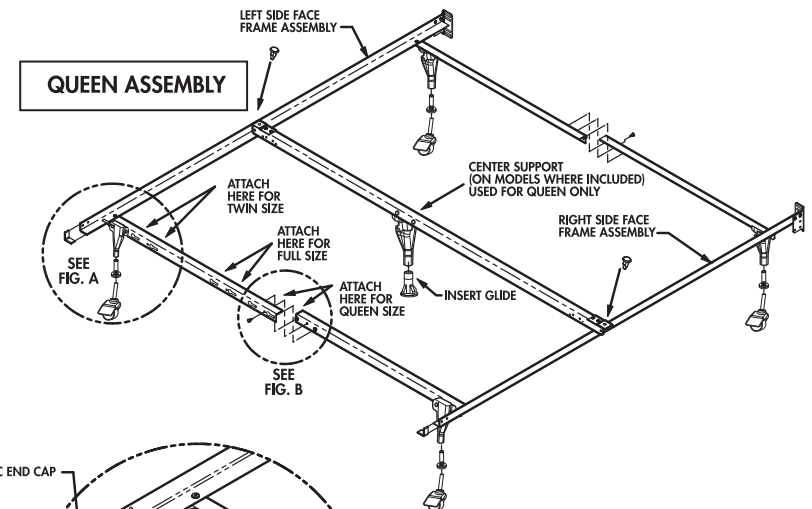
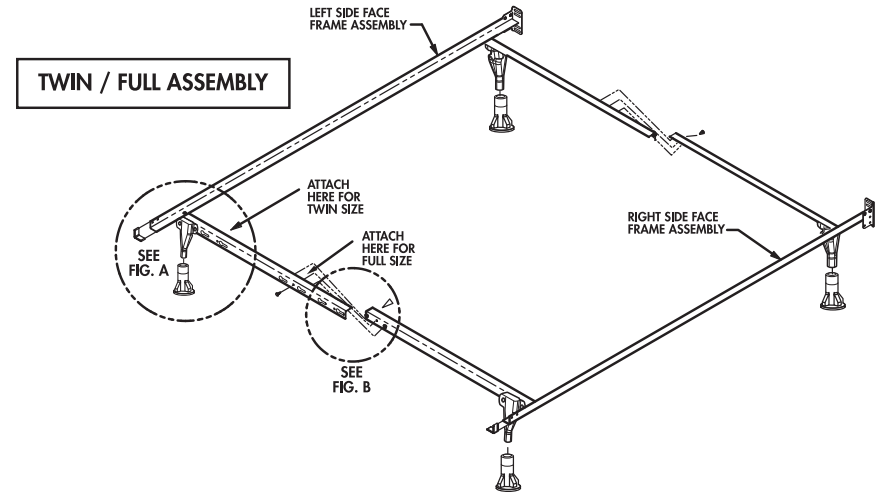
### What size bed frame do you need?

#### Twin or Full

#### Queen

- Step 4.  
Find the key hole slots that correspond to the size bed you need.
- Engage rivets into key hole slots and use plastic fastener to secure cross arms in position.

- Step 4.  
Install glide to the bottom of center support leg.
- Step 5.  
Find the queen size key hole slots.
- Engage rivets into key hole slots and use plastic fastener to secure cross arms in position.
- Step 6.  
Place center support in center of bed frame in left to right position. Use plastic fastener to secure cross arms in position.



Please cut out and save this Advisory with the instruction.

**\*\*\* ADVISORY \*\*\***

- \* PLEASE FOLLOW THE INSTRUCTIONS ON THIS BOX FOR THE SAFE AND PROPER SET-UP OF THIS PRODUCT.
- \* SAVE THE INSTRUCTIONS FOR FUTURE REASSEMBLY OF THIS PRODUCT.
- \* THIS PRODUCT MAY ONLY BE USED FOR THE BED, TYPE OF BED AND BEDDING FOR WHICH IT IS INTENDED.

7-2012

**NO TOOLS NEEDED**  
10 Year Limited Warranty  
For more information please visit  
[www.glideaway.com](http://www.glideaway.com) or call 1-800-428-5222