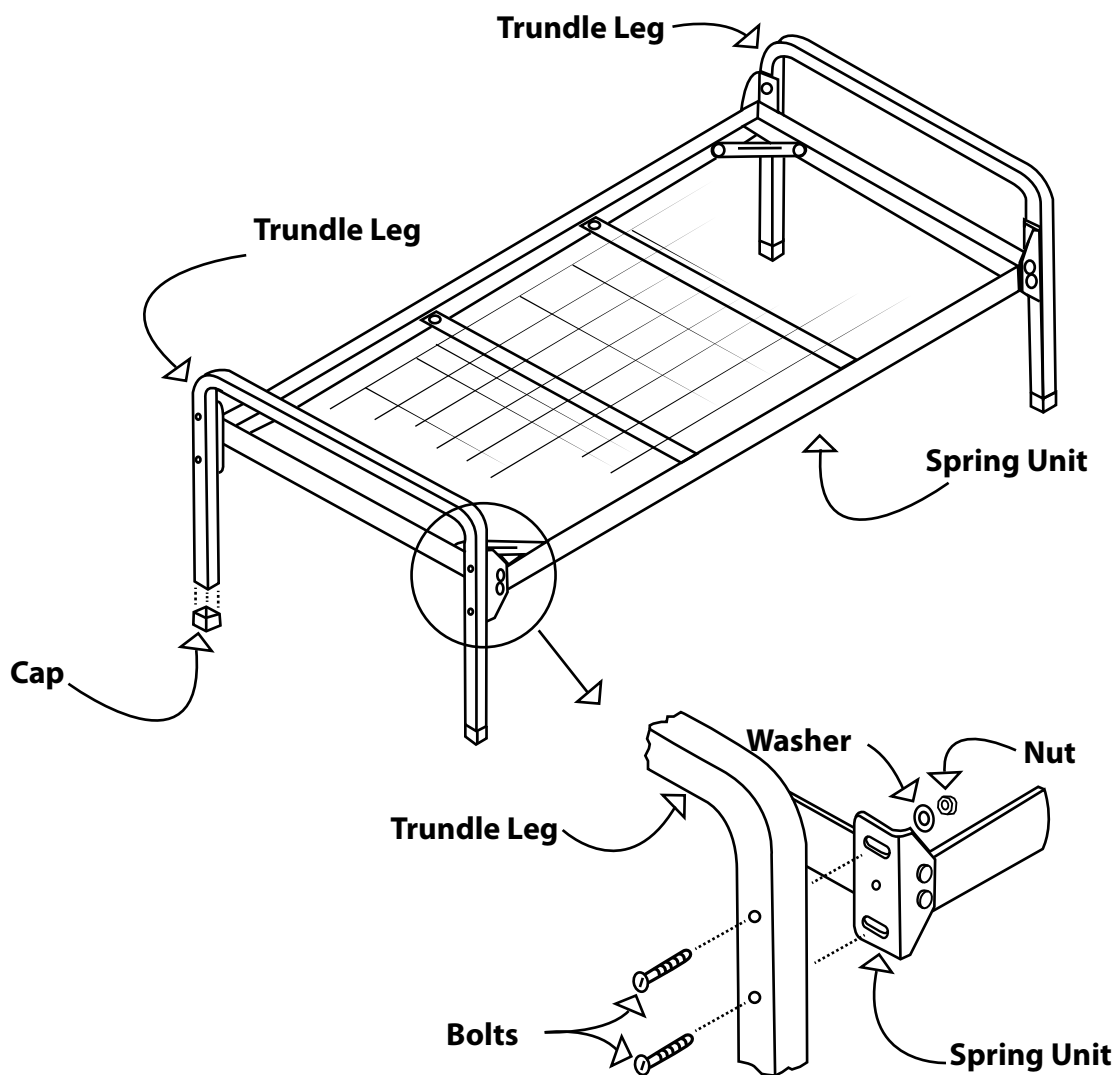


"TRUNDLE" ASSEMBLY INSTRUCTIONS

Step 1. Attach each trundle leg to spring unit using bolts, two flat washers and two nuts as shown below.

Step 2. Position caps into trundle legs as shown below.



INST2AR 6/97

*Spring Unit is not included. Sold separately.