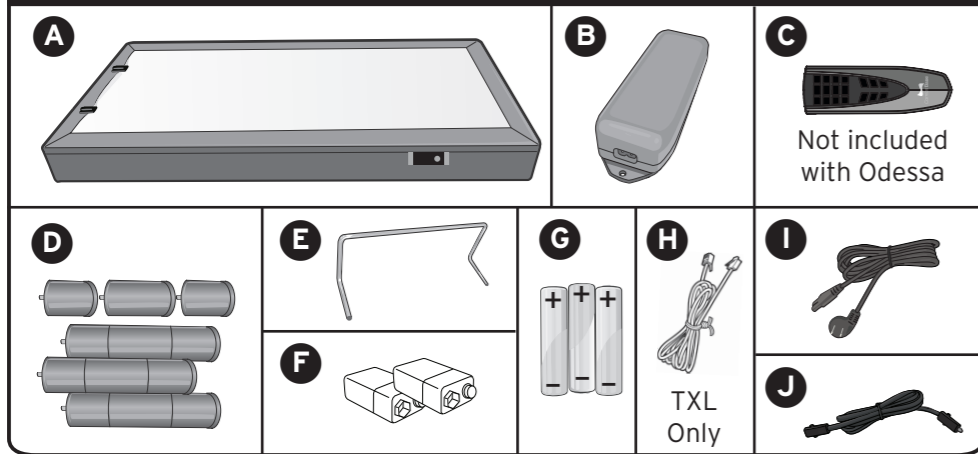
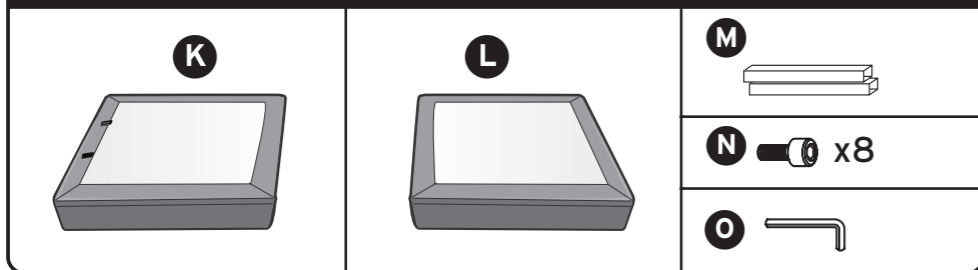


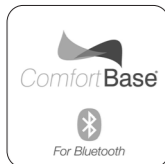
## Included



## Included in Split Deck

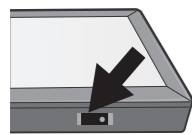


## Bluetooth



Download our app in the Apple or Google Play store. Open the app & follow the instructions. You will then be able to control your Base from any Apple or Android device!

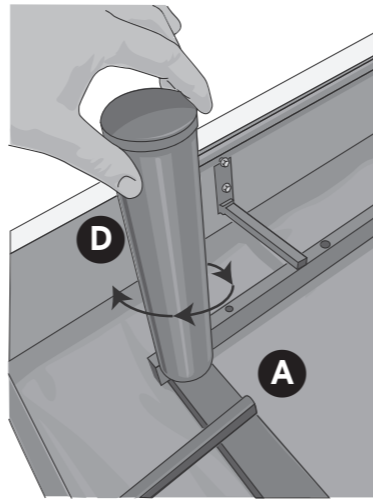
## Emergency



**Emergency Stop:** Press the Sync button on the side of the base; the LED light around the button will turn red and the bed will stop.

For more detailed instructions, please visit [www.glideaway.com/comfortbase/userguide](http://www.glideaway.com/comfortbase/userguide)

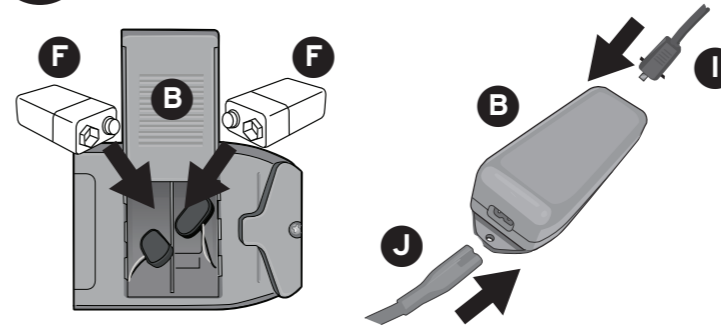
**1** If you have a split deck base, begin with Split Deck Assembly.



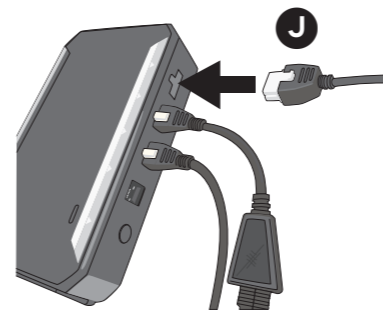
### Important:

- Tighten legs securely
- Do not lean bed against legs when turning over.

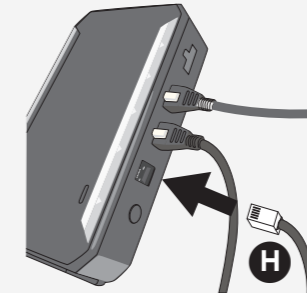
**2**



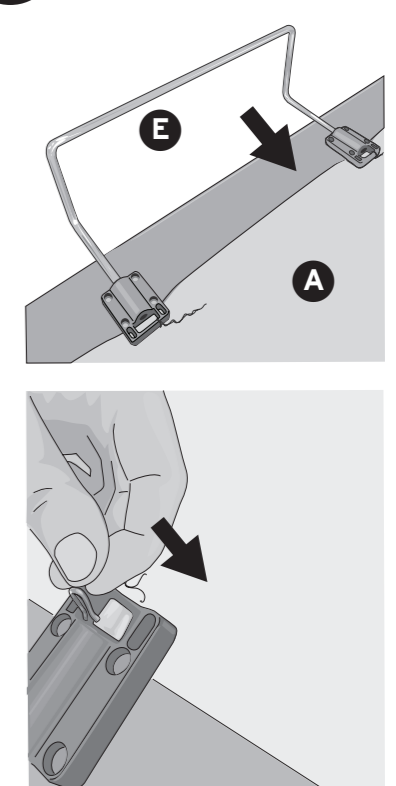
**3**



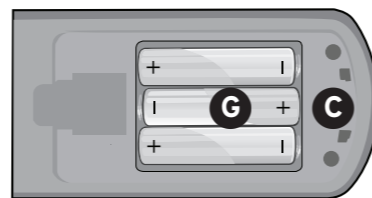
When using 2 TXLs as a king.



**4**



**5**



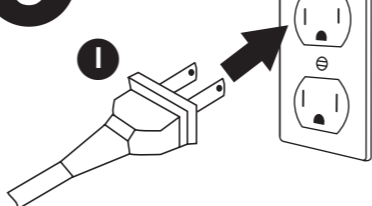
**7**



**A.** Press and hold the Sync button (round button on the side of the bed) for 5 seconds. The under bed light will start blinking indicating the bed is ready to be synced to the remote. Release the button.

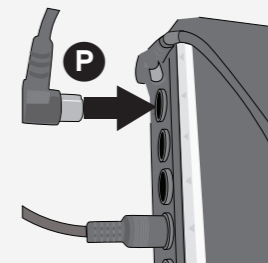
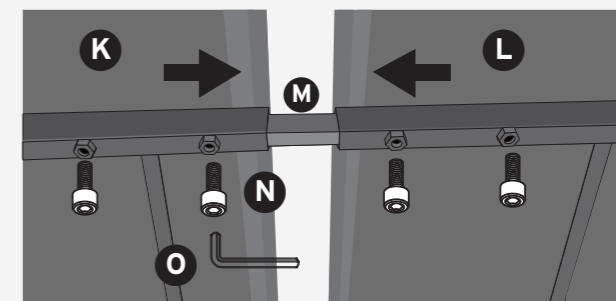


**6**



**B.** Simultaneously press and hold the Head Up and Foot Up buttons on the remote control. When the LED light around the Sync button turns off, release the buttons.  
**C.** Test the bed and repeat the steps if it is not working.

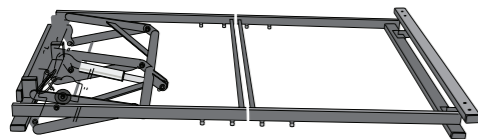
When Assembling a Split Deck Design, Start Here



- Insert foot motor cable **P** into the control box.
- When done assembling, continue with step 1.

## Available Accessories

To Order: 1-800-428-5222



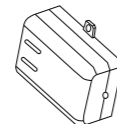
Elevate Kit



Remote Control



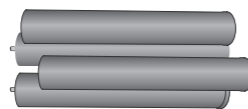
Wi-Fi Hub (for Voice Activation)



Bluetooth Module



Headboard Bracket Kit



18.5" High Profile Legs

## Online Resources

### GENERAL INQUIRIES

[glideaway.com/comfortbase/general](http://glideaway.com/comfortbase/general)

### TECHNICAL ASSISTANCE

Call 1-855-581-3095 or visit [glideaway.com/comfortbase/assistance](http://glideaway.com/comfortbase/assistance)

### WARRANTY

[glideaway.com/comfortbase/warranty](http://glideaway.com/comfortbase/warranty)

### TROUBLESHOOTING

[glideaway.com/comfortbase/troubleshooting](http://glideaway.com/comfortbase/troubleshooting)

### REGISTRATION

[glideaway.com/comfortbase/registration](http://glideaway.com/comfortbase/registration)

### TRANSLATIONS

For Spanish and French translations, visit [glideaway.com/comfortbase/userguide](http://glideaway.com/comfortbase/userguide)

## Contact Us

### CUSTOMER SERVICE

1 - 800 - 581 - 3095

### VISIT US ONLINE

[www.glideaway.com](http://www.glideaway.com)

FIND US ON SOCIAL MEDIA



## Safety Information

### ATTENTION!

IMPORTANT SAFETY INSTRUCTIONS. SAVE THIS MANUAL! PLEASE READ THESE INSTRUCTIONS THOROUGHLY BEFORE USING THIS PRODUCT. PROPER OPERATION OF YOUR ADJUSTABLE BED IS NECESSARY TO ENSURE THE LONG LIFE AND DURABILITY YOU EXPECT FROM A HIGH-QUALITY PRODUCT. THE MANUFACTURER HAS TESTED AND INSPECTED THIS PRODUCT PRIOR TO SHIPMENT.

### RADIO FREQUENCY IS 2.4 GHZ

FCC compliance device complies with part 15 of the FCC Rules. Operation is subject to the following two conditions: (1) This device may not cause harmful interference, and (2) This device must accept any interference received, including interference that may cause undesired operation. Any change to the antenna or the device could result in the device exceeding the RF exposure requirements and void the user's right to operate the device. The input voltage is AC100-240 50/60HZ; the output voltage is DC29V 1.8A.

### ELECTRICAL SAFETY

Always unplug this adjustable bed frame from the electrical outlet before any cleaning or maintenance of the bed frame. To safely disconnect, remove the plug from the outlet. Keep cord away from heated surfaces. Use only indoors.

WARNING: TO PREVENT FIRE OR SHOCK HAZARD, DO NOT EXPOSE THIS UNIT TO MOISTURE.

Discontinue use of this adjustable bed base and contact the manufacturer for repair if: (1) it has a damaged cord or plug, (2) it is not working properly, (3) it has been dropped or damaged. FOR OPTIMAL SAFETY, YOUR ADJUSTABLE BED SHOULD BE PLUGGED INTO A SURGE PROTECTOR (not supplied with this adjustable bed).

### BATTERY PRECAUTIONS

Follow these precautions when using batteries in this device:

1. Warning - Danger of explosion if battery is incorrectly replaced. Replace only with the 6LR61 9V batteries and LR03 AAA batteries.
2. Be sure to follow the correct polarity when installing the batteries as indicated in the battery compartment. A reversed battery may cause damage to the device.
3. Do not mix different types of batteries together (e.g. Alkaline, Rechargeable and Carbon-zinc) or old batteries with fresh ones.
4. If the device is not to be used for a long period of time, remove the batteries to prevent damage or injury from possible battery leakage.
5. Do not try to recharge a battery not intended to be recharged; it can overheat and rupture. (Follow battery manufacturer's directions.)

### WARRANTY WARNING

This bed is specifically designed to require no maintenance by you, the user. Any opening or tampering with the control box, motors or hand controls (with the exception of the battery compartment, if equipped) will void the warranty. Do not attempt to alter component wiring or adjust or modify the structure of the product in any way or the warranty will be void. Only those authorized may conduct repairs or part replacement on your adjustable bed.

### IN-HOME USE ONLY

This adjustable bed is designed exclusively for in-home use.

### HOSPITAL/MEDICAL DISCLAIMER

This base is NOT designed for hospital or medical use (In-Home or Commercial) and is NOT designed to meet medical or hospital standards. Do not use this base with TENT TYPE oxygen therapy equipment or use near explosive gases.

### CONSUMERS WITH PACEMAKERS

It is possible that the vibrating feature of this bed may be interpreted falsely by some pacemakers as movement and/or exercise. This is common with any product that produces a vibrating motion, and may or may not affect your pacemaker. Please consult your physician with any concerns.

### PRODUCT RATINGS

Lift Motor Restrictions: The lift motors in this bed are NOT designed to operate continuously for more than one (1) minute over an eight (8) minute time period, or approximately 12% duty cycle. To ensure reliable functionality and full life of this product, do not attempt to exceed these limits.

NOTE: Attempting to circumvent or exceed this rating will shorten the life expectancy of the product and may void the warranty.

Weight Restrictions: The recommended weight limits on our adjustable beds are:

Queen: 650 lb Full/XL: 500 lb Twin/XL: 400 lb (800 lb if using two twins as a King) 1/pc King: 800 lbs

The structure of the bed will support the recommended weight when distributed evenly across the bed.

The head and foot sections are not designed to individually support or lift this amount of weight.

For optimal performance and integrity of structure, entering and exiting the adjustable bed with the bed in the flat position is recommended. NOTE: Exceeding the recommended weight restrictions could damage your adjustable bed and void your warranty.

### VIBE MOTOR RESTRICTIONS

Vibe motors are not designed for continuous, extended vibe motor operation. Vibe motor systems are rated for a maximum of two hours of use within any six hour period. The vibe motor feature will emit a minimal tone during operation. This is normal. When the vibe motor level is increased, motor resonance will intensify accordingly.

### SMALL CHILDREN AND PETS WARNING

Immediately dispose of all packing materials as they can pose a smothering risk to small children and pets. Injury could occur also if children or pets are permitted to play on or under the bed. Do not allow children to operate this bed without adult supervision.

### LUBRICATION AND CLEANING

This product is designed to be maintenance free. The lift motors are permanently lubricated and sealed—no additional lubrication is required. Do not apply lubricant to lift motor lead screws or any nylon nuts or the base may inadvertently creep downward from the elevated position.

### LIFT WARNING

DO NOT SIT ON THE HEAD OR FOOT SECTIONS WHILE IN THE RAISED POSITION, OR DURING LIFT OR LOWERING CYCLES.

### LOCATION ENVIRONMENT

The level of sound experienced during operation is directly related to the location environment. For example, when a base is located on a hardwood floor with the vibe feature in operation, a vibrating tone will be audible. To minimize this resonance, place a piece of carpet under each leg of the base.

It is possible to experience vibration or noise from the headboard brackets, headboards or foot boards if mounting bolts are not firmly tightened.

### MOVING AFTER INSTALLATION

Do not place adjustable bed base vertically on its head or foot sections. This may cause injury to persons or damage to base.

### WARNINGS

To reduce the risk of burns, fire, electric shock, or injury to persons:

- Unplug from outlet before putting on or taking off accessories.
- Close supervision is necessary when this base is used by, or near children, invalids, disabled persons, or pets.
- Use this base only for its intended use as described in these instructions. Do not use attachments not recommended by the manufacturer.
- Never operate this base if it has a damaged cord or plug, is not working properly, has been dropped or damaged, or dropped in water.
- Keep the cord away from heated surfaces.
- Never drop or insert any object into any opening.
- Do not use outdoors.
- Do not operate where aerosol (spray) products are being used or where oxygen is being administered.
- To disconnect, remove plug from outlet.
- DO NOT USE NEAR PEOPLE USING OR WEARING MEDICAL DEVICES. FOR HOUSEHOLD/RESIDENTIAL USE ONLY.

# Comfort Base<sup>®</sup>

## QUICK START GUIDE