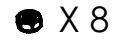
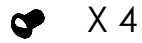
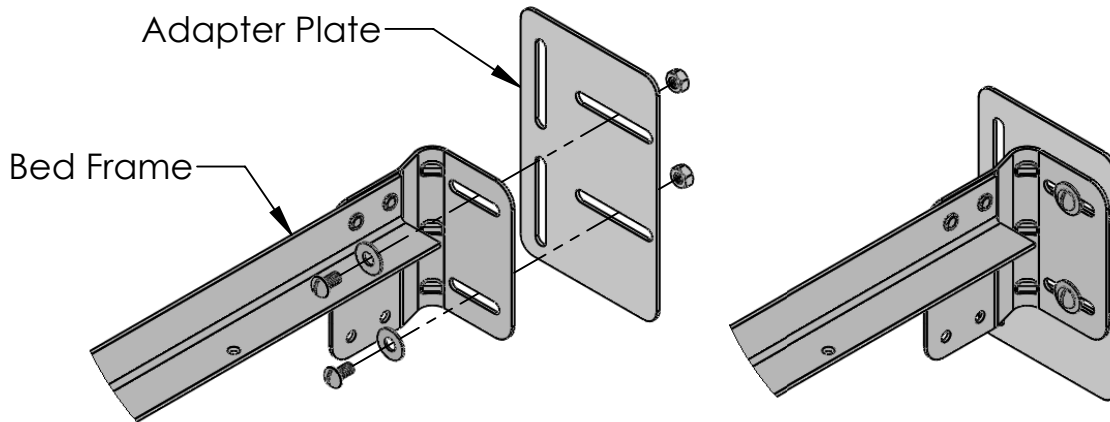


GLIDEAWAY

Instructions for Sku 8A Adapter Plate



1 Attach the Adapter plate to bedframe



2 Attach the Adapter plate and bedframe assembly to the headboard while allowing the headboard to float 3/4 inch off the floor.

