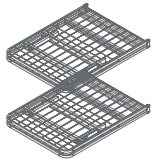


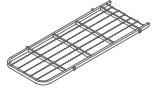
# SPACE SAVER

## WHAT IS INCLUDED

**A**  
T / TXL  
1 pcs  
Q / K / CK  
2 pcs



**B**  
Q / K / CK  
2 pcs



**C**  
4 pcs



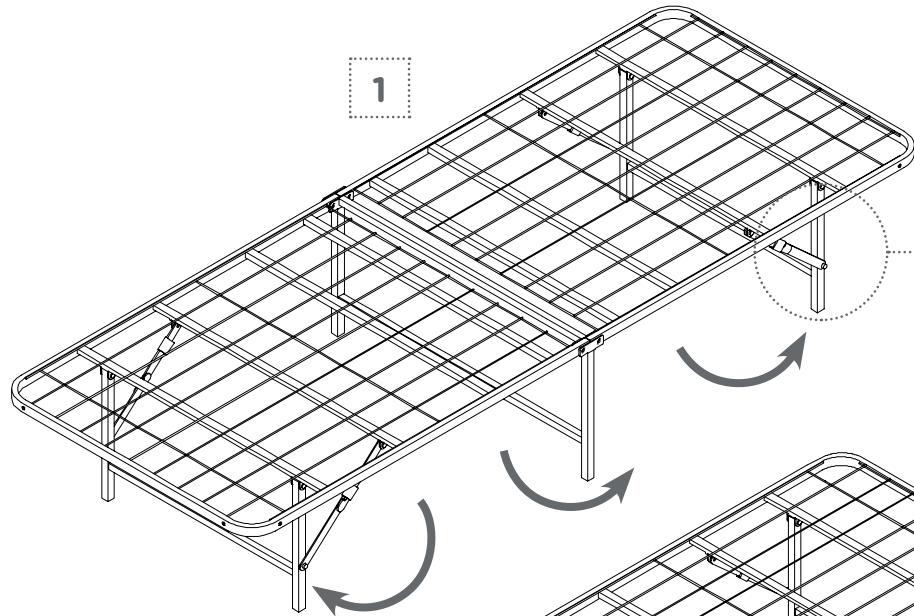
**D**  
8 pcs



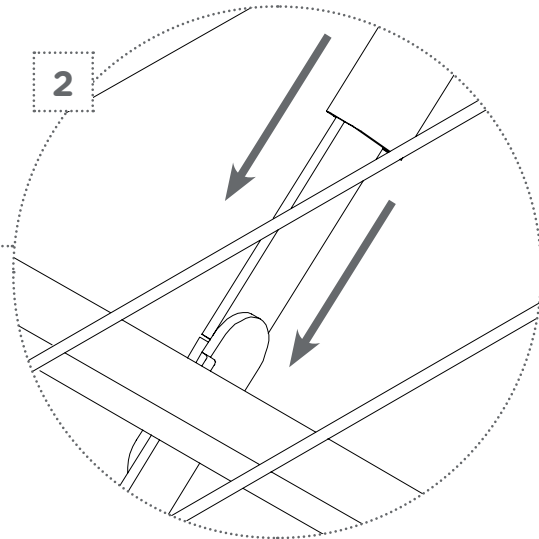
**E**  
1 pc



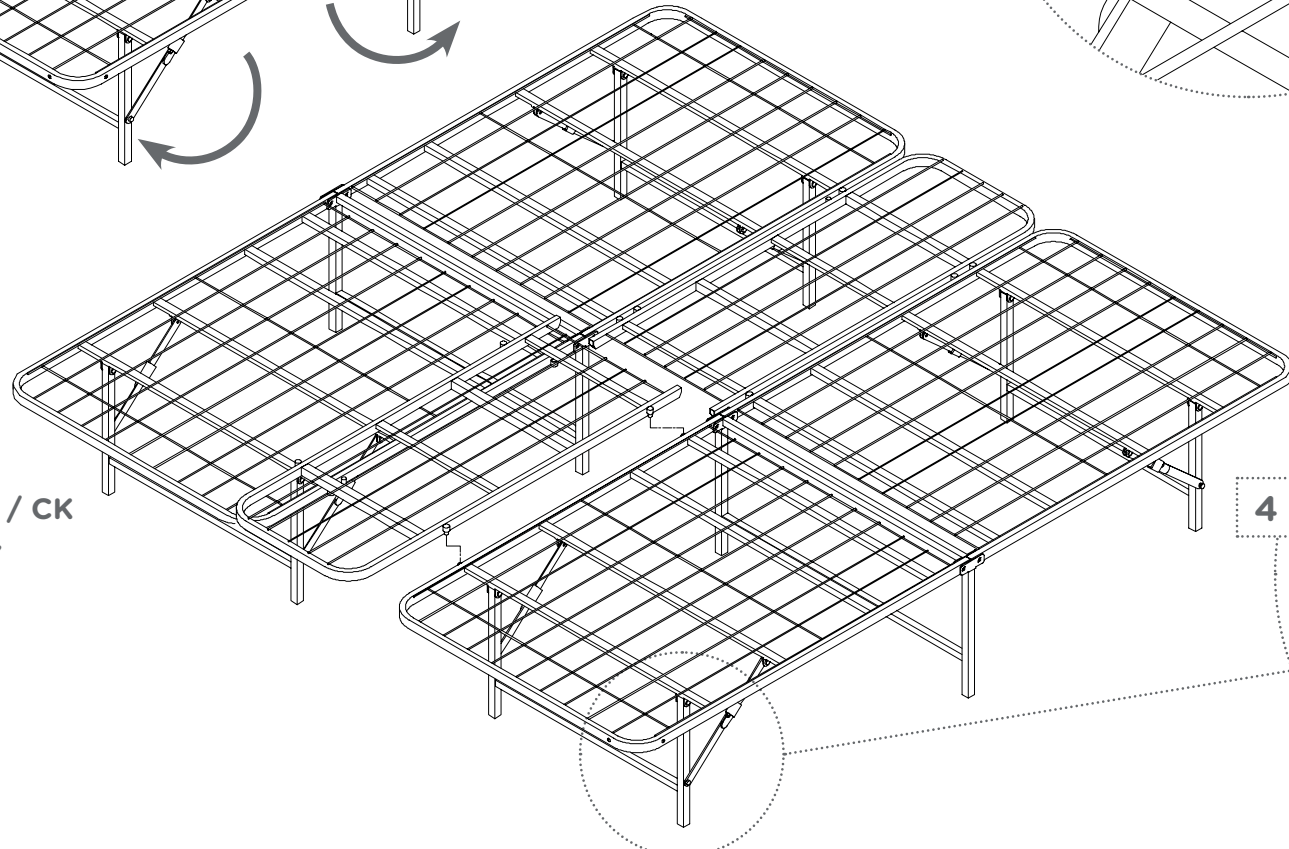
To learn more about  
your product or  
its warranty, call  
**855.581.3095**  
or visit us online at  
[glideaway.com](http://glideaway.com).



1



2



3

Q / K / CK  
ONLY

4

