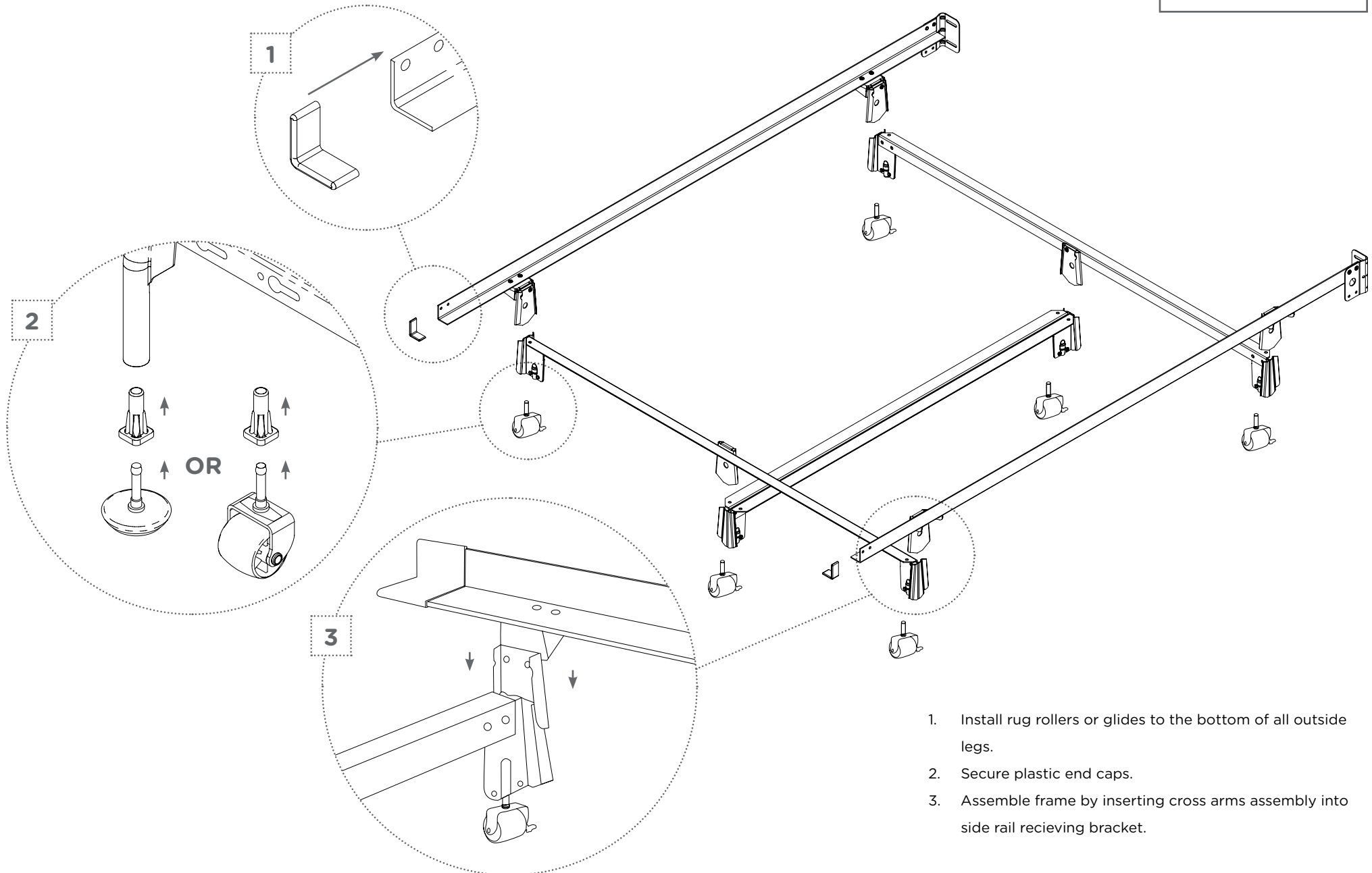


STEEL BED FRAMES

GLIDE-A-MATIC

To learn more about your product or its warranty, call **855.581.3095** or visit us online at glideaway.com.



1. Install rug rollers or glides to the bottom of all outside legs.
2. Secure plastic end caps.
3. Assemble frame by inserting cross arms assembly into side rail receiving bracket.