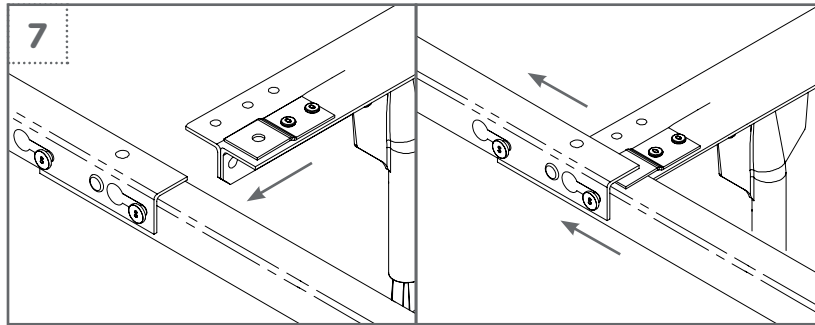
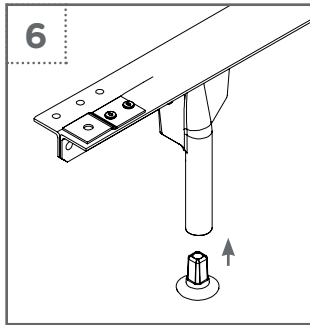
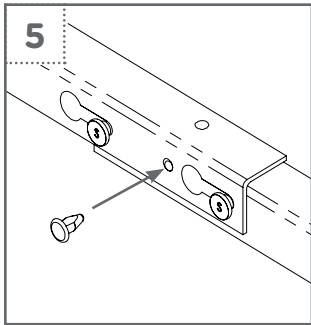
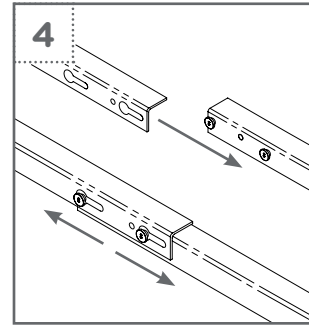
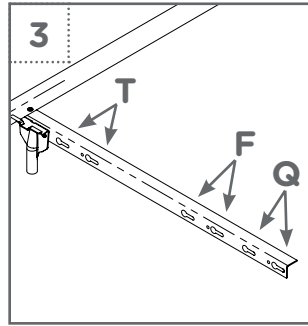
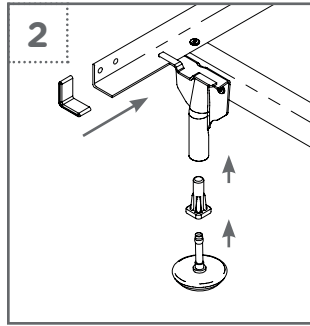
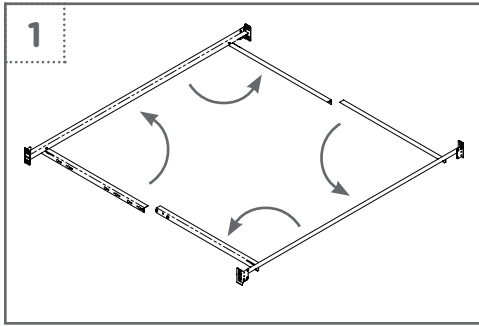
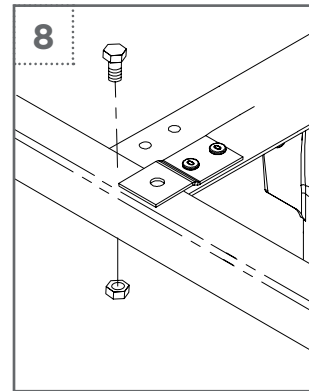
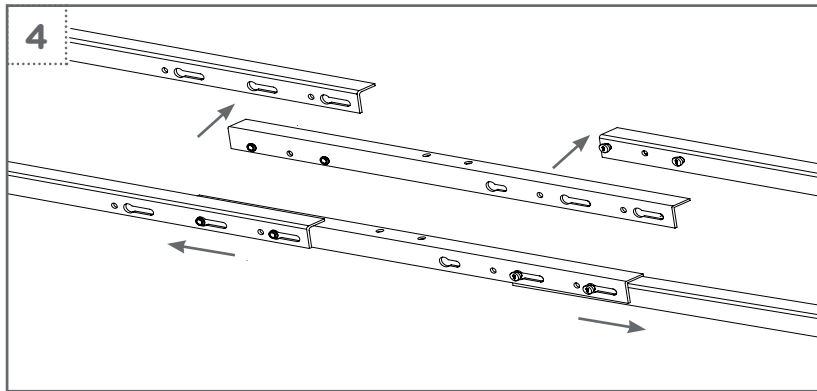
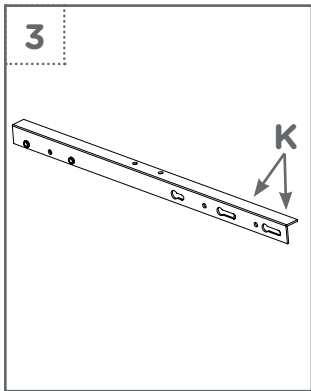


ALL SIZES (See Notes For King, Below)



1. Swing out cross arms on all corners of the bed frame.
2. Install rug rollers or glides to the bottom of all outside legs and secure plastic end cap.
3. Select the proper pair of keyhole slots for the size of bedding to be used.
4. Overlap cross rails and slide rivets into keyhole slots. Pull crossrails outward so that rivets lock into keyhole slots.
5. Secure with plastic fastener.
6. Install glides to the bottom of center support.
7. Swing the angle iron center support under cross arms so that the end clips slide between the cross arms directly in the center of the bed as shown.

KING



- Follow steps 1 and 2.
3. Select proper pair of keyhole slots in splicer bar.
  4. Overlap cross rails and slide rivets into keyhole slots on splicer bare. Pull crossrails outward so that rivets lock into keyhole slots.
- Follow steps 5, 6, and 7.
8. Attach nut and bolt through the hole next to clip.