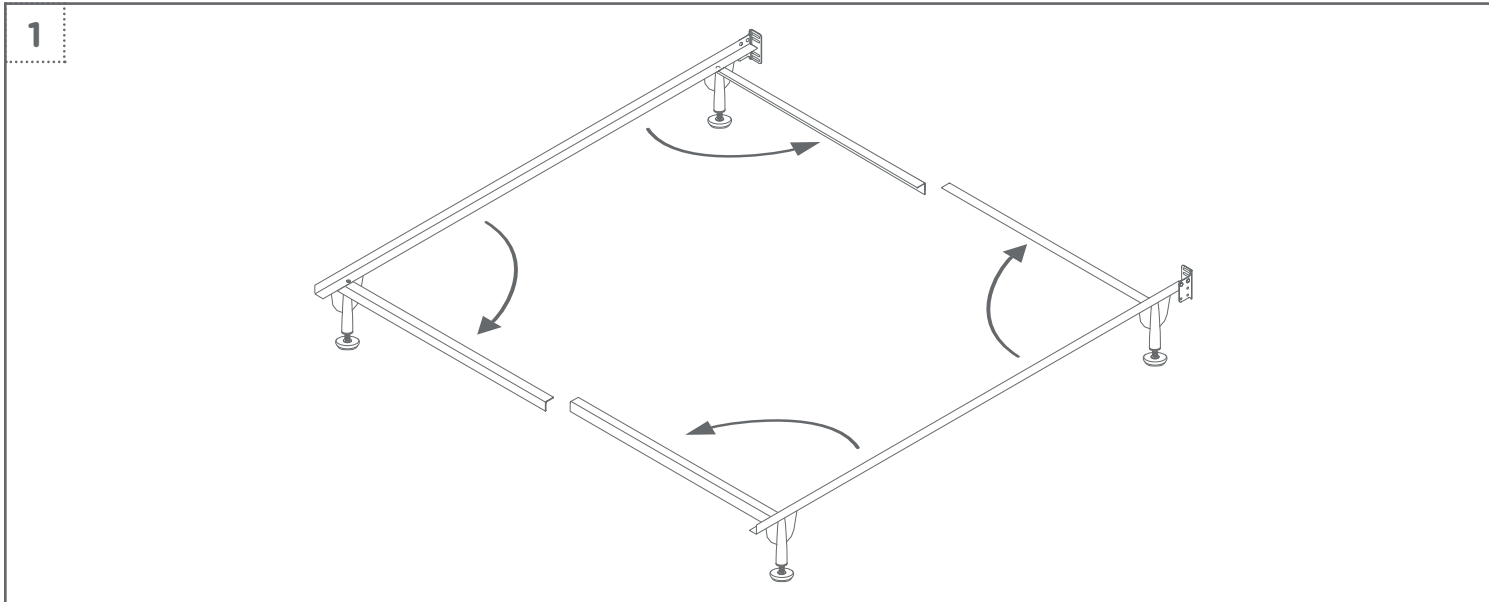


# STEEL BED FRAMES

21GCL and 21RRCL - 21 Series with Clamp

To learn more about your product or its warranty, call **855.581.3095** or visit us online at [glideaway.com](http://glideaway.com).



1. Swing out all cross arms as shown.
2. Slip clamps on cross rails - one at the head end and one at the foot end.
3. Overlap cross rails and adjust to width of mattress foundation. Place frame on side and place mattress in frame before adjusting.
4. Slide clamps on overlapped cross rails and tighten thumbscrew.
5. Insert casters, glides or rug rollers into sockets. Be sure the stem is pushed in all the way. Adjust threaded glides so that they touch the floor.
6. Place protective plastic end caps on the end of the rails.

