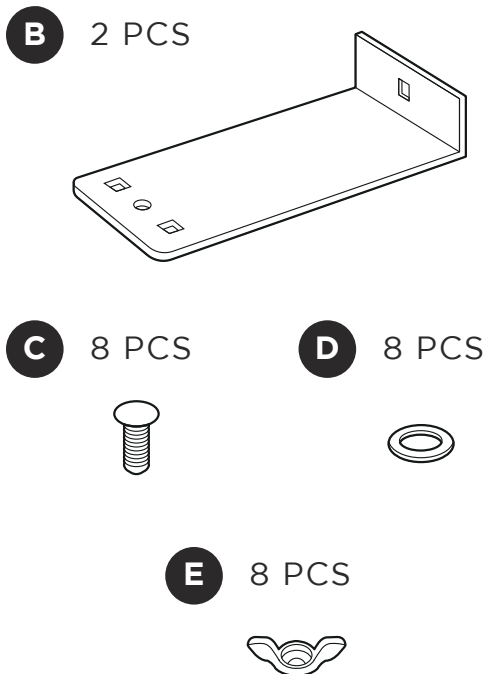
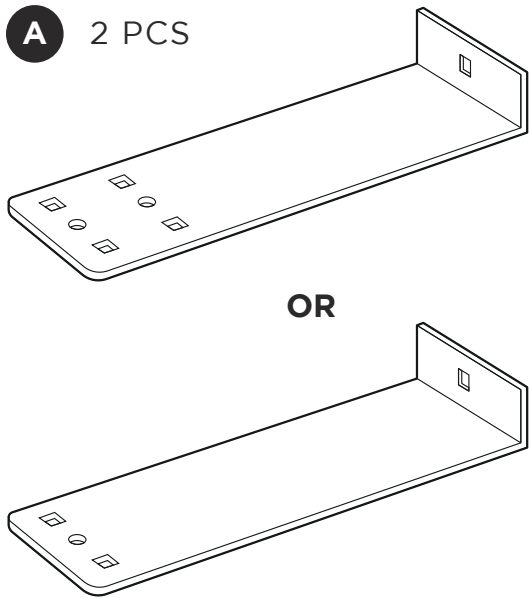


QUICK START GUIDE: PLATFORM BRACKETS



IMPORTANT: Check your foundation or platform bed's weight capacity with the manufacturer before installing the platform brackets on your adjustable base.



1 Turn your adjustable base over. Do not lean base against legs when turning over.

IF USING A FOUNDATION: install the brackets (PARTS A and PARTS B) in an upright position, as shown.

IF USING A PLATFORM BED: install the brackets (PARTS A and PARTS B) in a downward position.

WARNING

Do not use the platform brackets with the Elevation Kit, headboard brackets, or leg segments installed on your adjustable base. Doing so will void the base's warranty.

