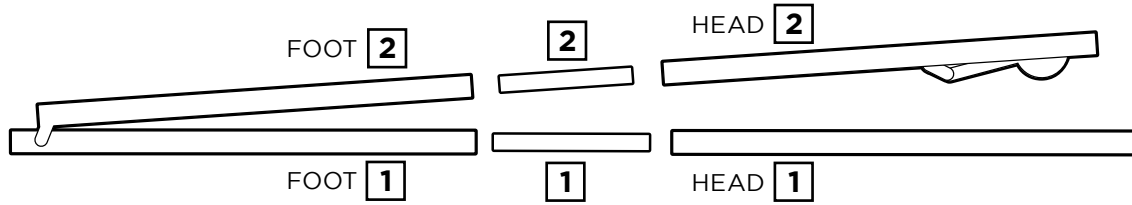
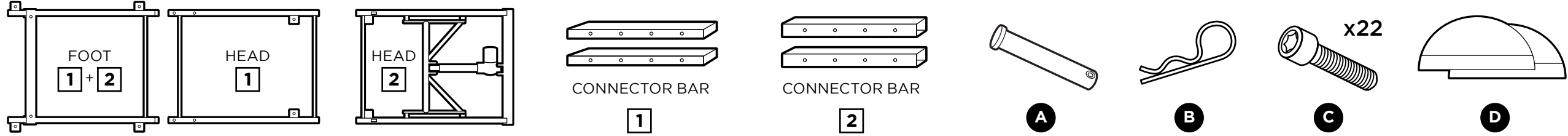
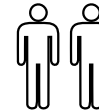


QUICK START GUIDE: ELEVATION KIT



NOTE

Base must be fully assembled on the floor - upside down.



IMPORTANT

2 people are recommended for assembly.



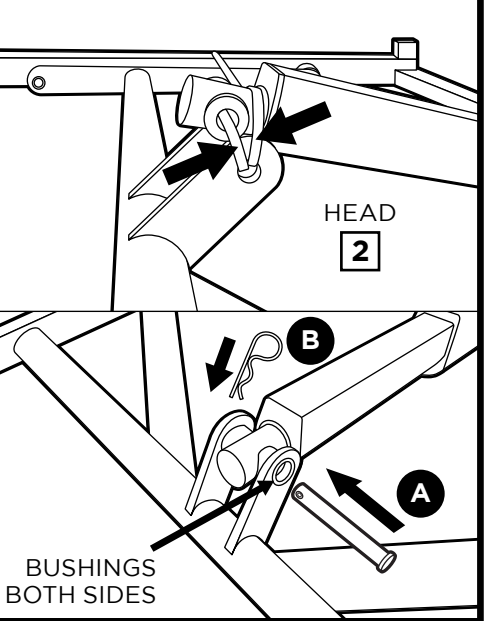
IMPORTANT

All 6 legs must be tightened securely to elevation kit before turning base over for use.

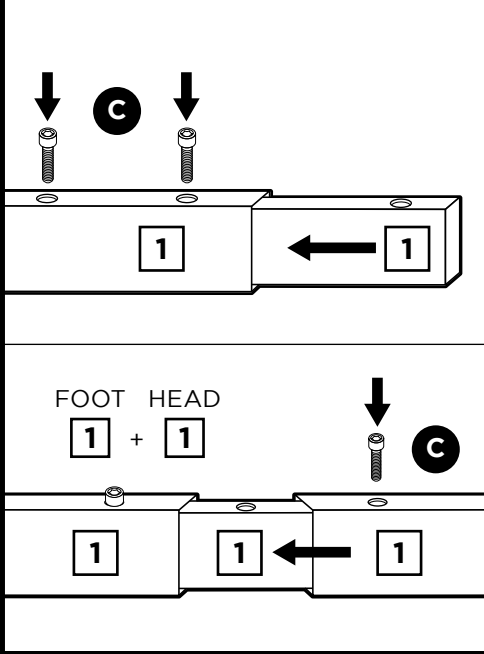
WARNING

DO NOT TILT or **LEAN** base on legs when turning base over.

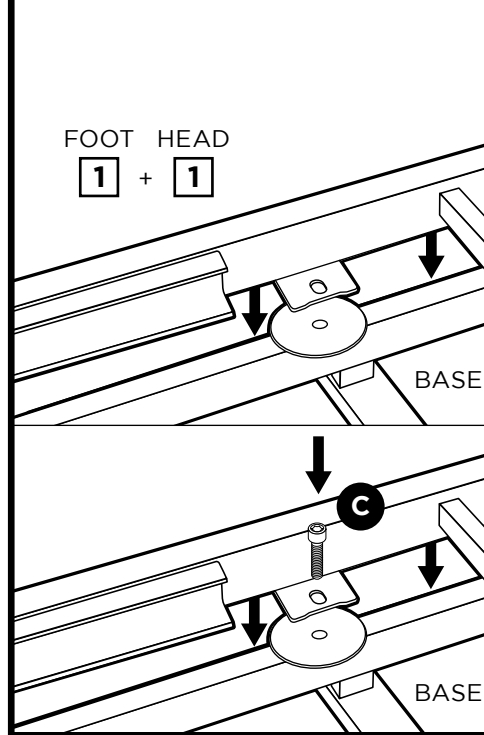
1 After removing HEAD 2 section from box, cut yellow tie bands connecting the motor to frame. **DO NOT** cut the black tie band holding the motor wire. Check that the two pre-inserted bushings are present before inserting bolt A. Insert bolt A through HEAD 2 section and secure with cotter pin B.



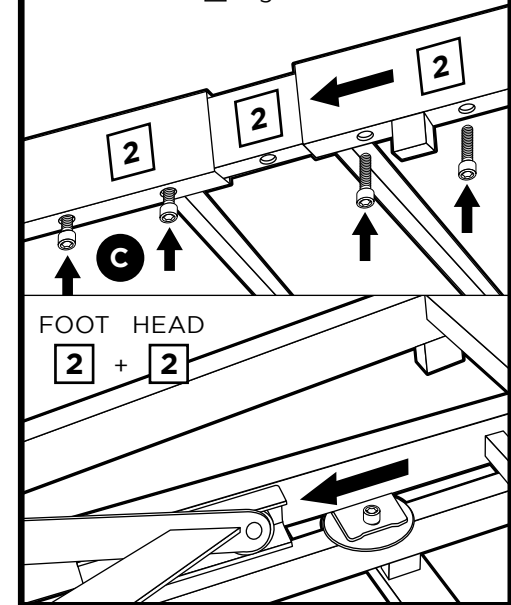
2 Slide CONNECTOR BARS 1 into both sides of FOOT 1. Use bolts C to lightly secure in place. Do not fully tighten. Slide HEAD 1 section onto connector bars. Sections and connector bars are labeled with a number 1. Use bolts C to attach and tighten all bolts.



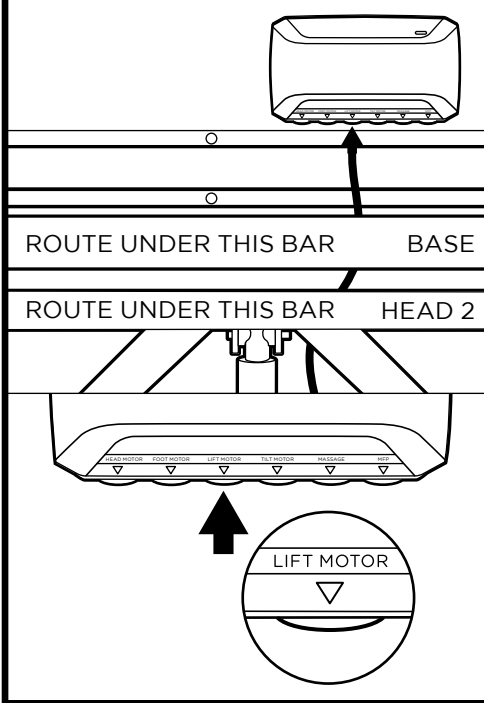
3 Align mounting bracket holes all 6 holes on frame sections HEAD 1 and FOOT 1 with the 6 leg holes of the base. Secure to base using bolts C.



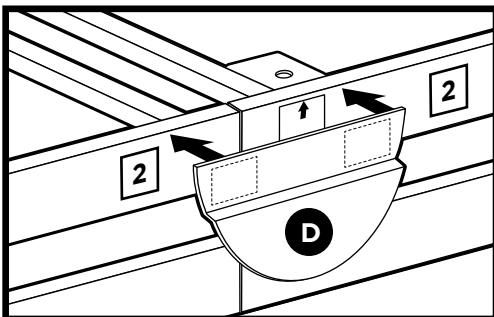
4 Lift HEAD 2 section on each side. Slide CONNECTOR BARS 2 into FOOT 2 section using bolts C to lightly secure in place. Do not fully tighten. Guide wheels from HEAD 2 section into channels on HEAD 1 section. Slide HEAD 2 onto CONNECTOR BARS 2. Sections and connector bars are labeled with a number 2. Tighten all bolts.



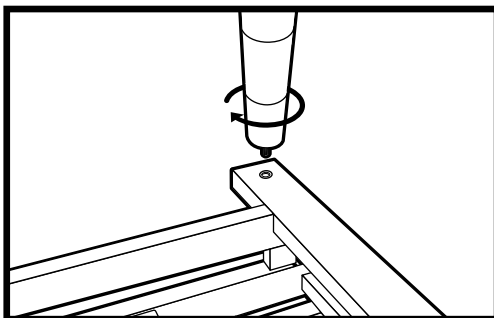
5 While the base is upside down, route motor wire under HEAD 2 section and the base frame as illustrated below. Plug motor cable into outlet on control box indicated LIFT MOTOR.



- 7** Remove the backing of both Velcro pieces on back of PINCH GUARD D. Align center of pinch guard on the label as indicated and attach to both sides of frame section labeled with a number **2**.



- 8** Use threaded holes on elevate kit to attach and secure 6 legs. To return base to its original height, remove one section of the 3-in-1 leg. Turn base over in right side up position.



IMPORTANT

All 6 legs must be tightened securely to elevation kit before turning base over for use.

WARNING

DO NOT TILT or **LEAN** base on legs when turning base over.

SAFETY INFORMATION

ATTENTION!

IMPORTANT SAFETY INSTRUCTIONS. SAVE THIS MANUAL! PLEASE READ THESE INSTRUCTIONS THOROUGHLY BEFORE USING THIS PRODUCT. PROPER OPERATION OF YOUR ADJUSTABLE BED IS NECESSARY TO ENSURE THE LONG LIFE AND DURABILITY YOU EXPECT FROM A HIGH-QUALITY PRODUCT. THE MANUFACTURER HAS TESTED AND INSPECTED THIS PRODUCT PRIOR TO SHIPMENT.

ELECTRICAL SAFETY

Always unplug this adjustable bed frame from the electrical outlet before any cleaning or maintenance of the bed frame. To safely disconnect, remove the plug from the outlet. Keep cord away from heated surfaces. Use only indoors. **WARNING: TO PREVENT FIRE OR SHOCK HAZARD, DO NOT EXPOSE THIS UNIT TO MOISTURE.** Discontinue use of this adjustable bed base and contact the manufacturer for repair if: (1) it has a damaged cord or plug, (2) it is not working properly, (3) it has been dropped or damaged. **FOR OPTIMAL SAFETY, YOUR ADJUSTABLE BED SHOULD BE PLUGGED INTO A SURGE PROTECTOR** (not supplied with this adjustable bed).

WARRANTY WARNING

This bed is specially designed to require no maintenance by you, the user. Any opening or tampering with the control box, motors or hand controls (with the exception of the battery compartment, if equipped) will void the warranty. Do not attempt to alter component wiring or adjust or modify the structure of the product in any way or the warranty will be void. Only those authorized may conduct repairs or part replacement on your adjustable bed.

IN-HOME USE ONLY

This adjustable bed is designed exclusively for in-home use.

HOSPITAL/MEDICAL DISCLAIMER

This base is NOT designed for commercial or hospital use and is NOT designed to meet hospital standards. Do not use this base with TENT TYPE oxygen therapy equipment or use near explosive gases.

CONSUMERS WITH PACEMAKERS

It is possible that the vibrating feature of this bed may be interpreted falsely by some pacemakers as movement and/or exercise. This is common with any product that produces a vibrating motion, and may or may not affect your pacemaker. Please consult your physician with any concerns.

PRODUCT RATINGS

Lift Motor Restrictions: The lift motors in this bed are NOT designed to operate continuously for more than one (1) minute over an eight (8) minute time period, or approximately 12% duty cycle. To ensure reliable functionality and full life of this product, do not attempt to exceed these limits. **NOTE:** Attempting to circumvent or exceed this rating will shorten the life expectancy of the product and may void the warranty.

Weight Restrictions: The recommended weight limits on our adjustable beds are: Queen: 650 lb Twin/XL: 400 lb (800 lb if using two twins as a King)

The structure of the bed will support the recommended weight when distributed evenly across the bed. The head and foot sections are not designed to individually support or lift this amount of weight. For optimal performance and integrity of structure, entering and exiting the adjustable bed with the bed in the lat position is recommended. **NOTE:** Exceeding the recommended weight restrictions could damage your adjustable bed and void your warranty.

SMALL CHILDREN AND PETS WARNING

Immediately dispose of all packing materials as they can pose a smothering risk to small children and pets. Injury could occur also if children or pets are permitted to play on or under the bed. Do not allow children to operate this bed without adult supervision.

LUBRICATION AND CLEANING

This product is designed to be maintenance free. The lift motors are permanently lubricated and sealed—no additional lubrication is required. Do not apply lubricant to lift motor lead screws or any nylon nuts or the base may inadvertently creep downward from the elevated position.

LIFT WARNING

DO NOT SIT ON THE HEAD OR FOOT SECTIONS WHILE IN THE RAISED POSITION, OR DURING LIFT OR LOWERING CYCLES.

LOCATION ENVIRONMENT

The level of sound experienced during operation is directly related to the location environment. For example, when a base is located on a hardwood floor with the vibe feature in operation, a vibrating tone will be audible. To minimize this resonance, place a piece of carpet under each leg of the base. It is possible to experience vibration or noise from the headboard brackets, headboards or foot boards if mounting bolts are not firmly tightened.

MOVING AFTER INSTALLATION

Do not place adjustable bed base vertically on its head or foot sections. This may cause injury to persons or damage to base.

WARNINGS

To reduce the risk of burns, fire, electric shock, or injury to persons:

- Unplug from outlet before putting on or taking off accessories.
- Close supervision is necessary when this base is used by, or near children, invalids, disabled persons, or pets.
- Use this base only for its intended use as described in these instructions. Do not use attachments not recommended by the manufacturer.
- Never operate this base if it has a damaged cord or plug, is not working properly, has been dropped or damaged, or dropped in water.
- Keep the cord away from heated surfaces.
- Never drop or insert any object into any opening.
- Do not use outdoors.
- Do not operate where aerosol (spray) products are being used or where oxygen is being administered.
- To disconnect, remove plug from outlet.
- **DO NOT USE NEAR PEOPLE USING OR WEARING MEDICAL DEVICES. FOR HOUSEHOLD/RESIDENTIAL USE ONLY.**

Customer Service
1-855-581-3095

Warranty information
available at glideaway.com