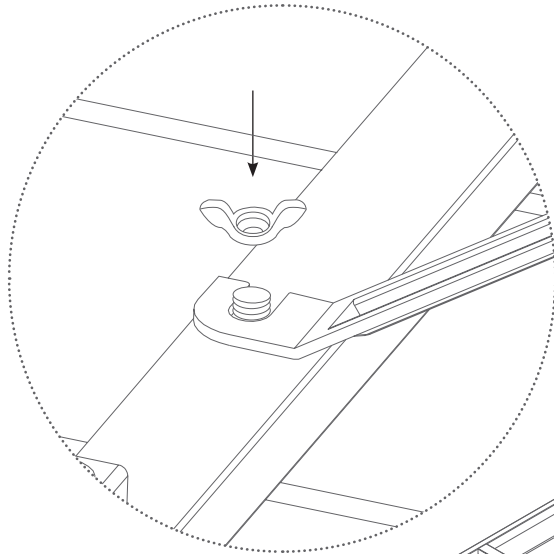
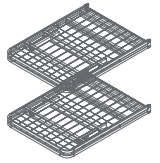


WHAT IS INCLUDED

A

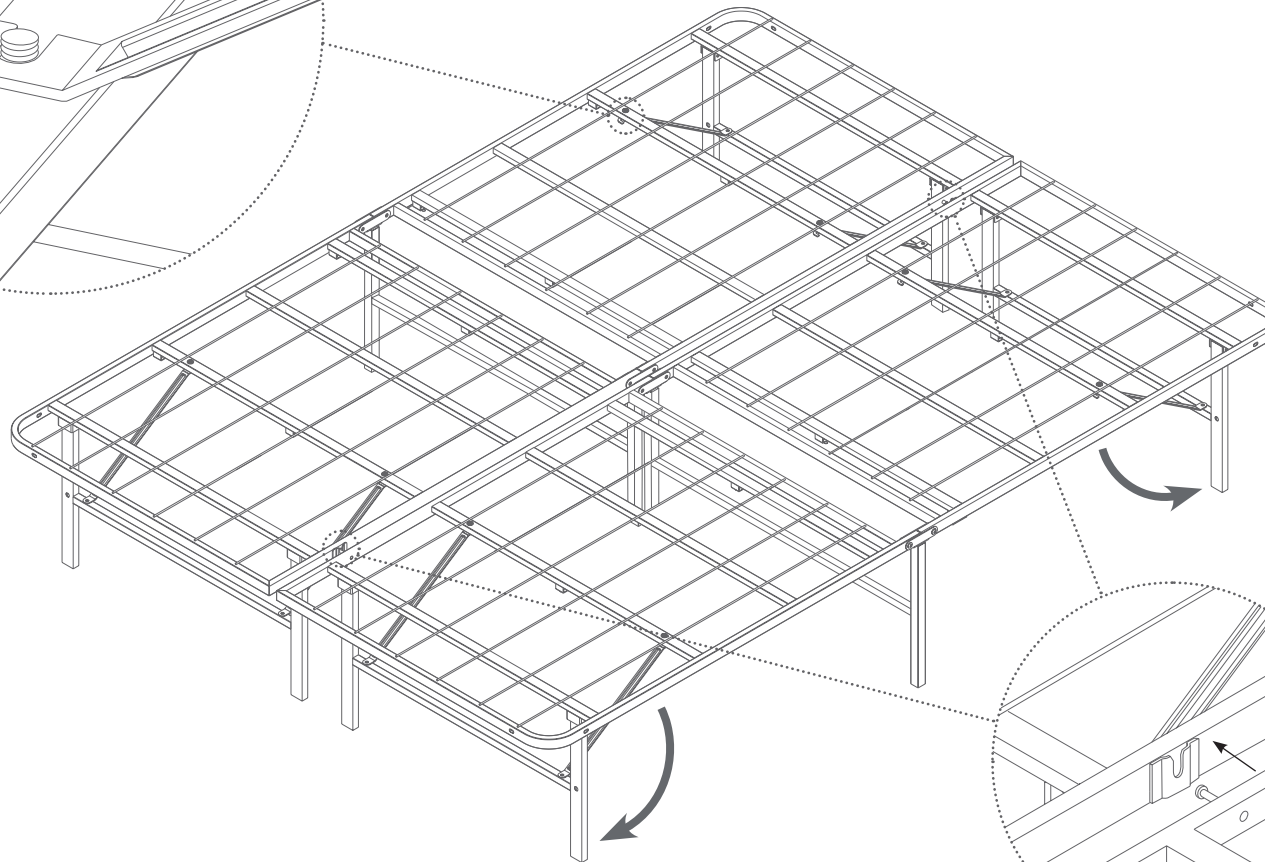
T / TXL
1 pcs

F / Q / K / CK
2 pcs



1 Unfold Space Saver upside down and extend legs.

2 Extend both supports from leg brace on each end. Secure to bolt under frame using the attached wing nut.



3 Secure each side of a Full, Queen, King or Cal King by sliding pins into matching slots on opposite side.

